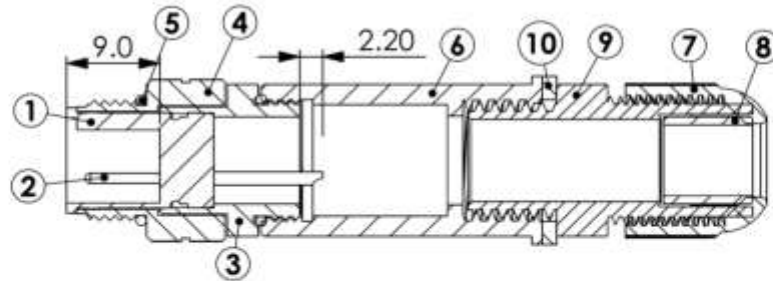


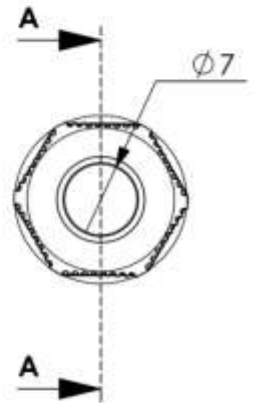
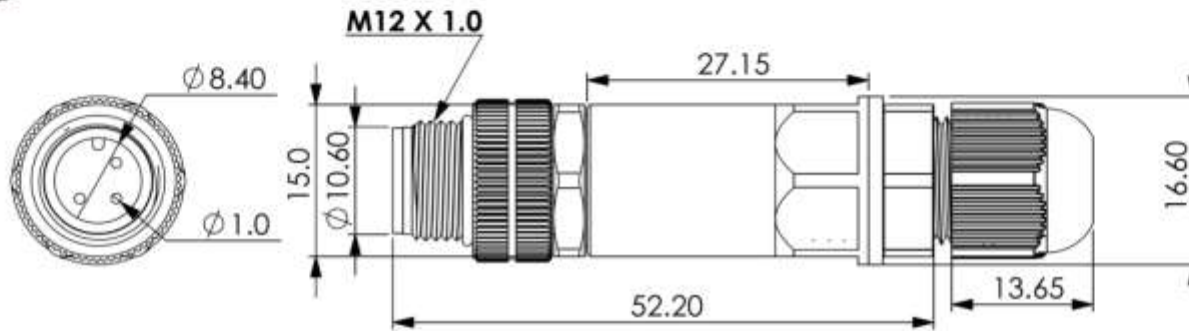
WATERPROOF CONNECTORS

- **IP67 M12 CABLE PLUGS**
- **3.4.5.8 PINS**
- **ASSEMBLY TYPE**
- **WP1203PA**
- **WP1204PA**
- **WP1205PA**
- **WP1208PA**





SECTION A-A SCALE: 3 : 2



No.	Description	Material	Treat	Q'ty
1	3P Housing	Thermoplastic		1
2	Terminals	Brass	Gold Ptd.	3
3	Housing Holder	Brass	Nickel Ptd.	1
4	Screw Cap	Brass	Nickel Ptd.	1
5	O Ring	NBR		1
6	Shield Cover	Brass	Nickel Ptd.	1
7	WP Cable Holder E	PA66		1
8	WP Cable Holder D	NBR		1
9	WP Cable Holder C	PA66		1
10	WP Cable Holder B	NBR		1

俞昌有限公司
YEU TSANG CO. LTD.

品名:
ITEM:
料號:
PART NO.

3P M12 WATER TIGHT
CABLE PLUG ASS'Y

WP1203PA

圖號:
DRW NO.



一般公差
.X +/0.25
.XX +/0.10



SHEET:
1
1

單位:
unit:

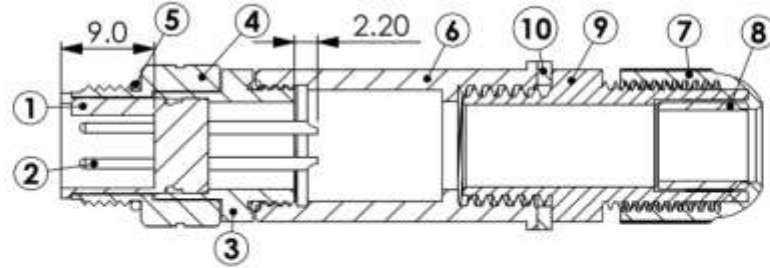
mm
比例:
scale:

日期:
date:
版本:
version:

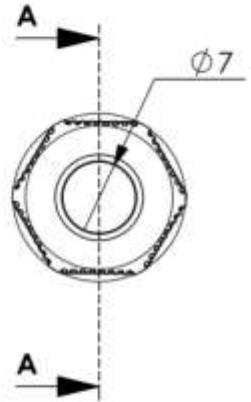
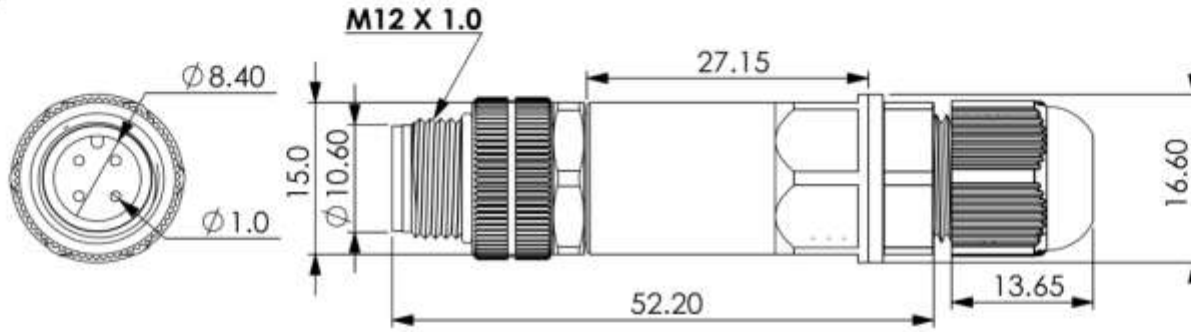
'07/01/23
V. 1.0

繪圖:
drwn by:
核准:
aprvd by:

DanielShyr
SkyShyr

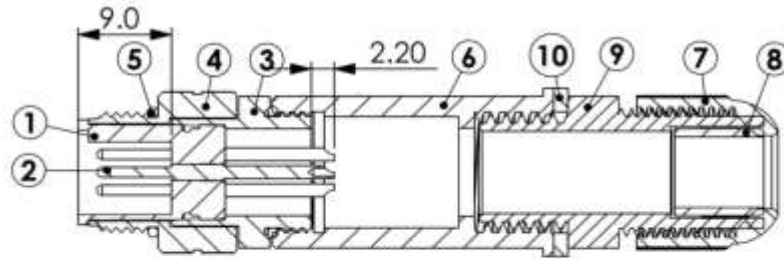


SECTION A-A SCALE: 3 : 2

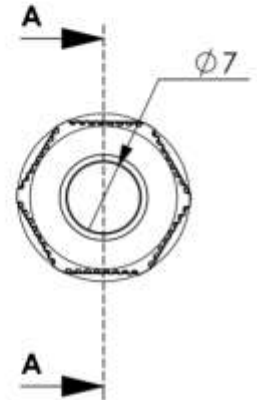
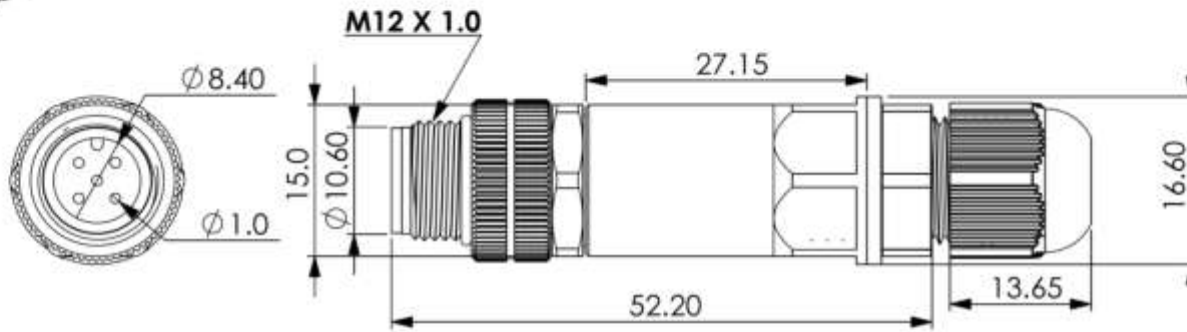


No.	Description	Material	Treat	Q'ty
1	4P Housing	Thermoplastic		1
2	Terminals	Brass	Gold Ptd.	4
3	Housing Holder	Brass	Nickel Ptd.	1
4	Screw Cap	Brass	Nickel Ptd.	1
5	O Ring	NBR		1
6	Shield Cover	Brass	Nickel Ptd.	1
7	WP Cable Holder E	PA66		1
8	WP Cable Holder D	NBR		1
9	WP Cable Holder C	PA66		1
10	WP Cable Holder B	NBR		1

俞昌有限公司 YEU TSANG CO. LTD.	品名: ITEM:	4P M12 WATER TIGHT CABLE PLUG ASS'Y			一般公差		單位: unit:	mm	日期: date:	'07/01/23	繪圖: dwn by:	DanielShyr
	料號: PART NO	WP1204PA	圖號: DRW NO.				.X +/-0.25 .XX +/-0.10	比例: scale:	3 : 2	版本: version:	V. 1.0	核准: aprvd by:



SECTION A-A SCALE: 3 : 2



No.	Description	Material	Treat	Q'ty
1	5P Housing	Thermoplastic		1
2	Terminals	Brass	Gold Ptd.	5
3	Housing Holder	Brass	Nickel Ptd.	1
4	Screw Cap	Brass	Nickel Ptd.	1
5	O Ring	NBR		1
6	Shield Cover	Brass	Nickel Ptd.	1
7	WP Cable Holder E	PA66		1
8	WP Cable Holder D	NBR		1
9	WP Cable Holder C	PA66		1
10	WP Cable Holder B	NBR		1

俞昌有限公司
YEU TSANG CO. LTD.

品名:
ITEM:
料號:
PART NO

5P M12 WATER TIGHT
CABLE PLUG ASS'Y

WP1205PA

圖號:
DRW NO:



一般公差
.X +/0.25
.XX +/0.10

SHEET:
1
1

單位:
unit:

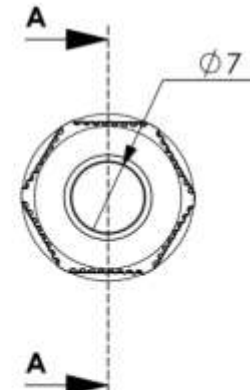
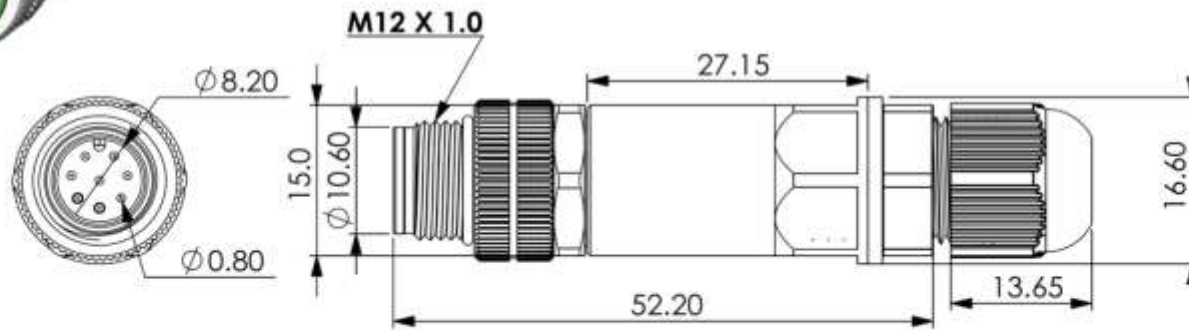
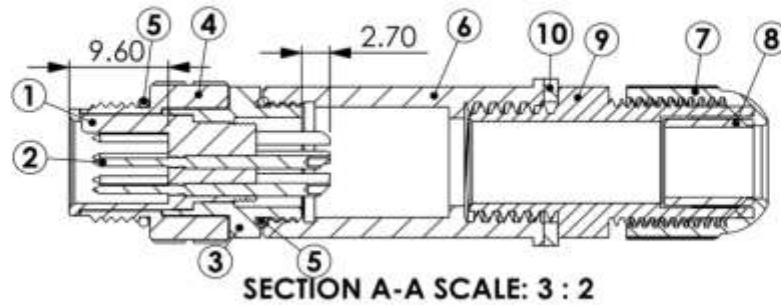
mm
比例:
scale:

日期:
date:

'07/01/23
版本:
version:

繪圖:
drwn by:

DanielShyr
核准:
apprvd by:
SkyShyr



No.	Description	Material	Treat	Q'ty
1	8P HOUSING	Thermoplastic		1
2	Terminals	Brass	Gold Ptd.	8
3	Housing Holder	Brass	Nickel Ptd.	1
4	Screw Cap	Brass	Nickel Ptd.	1
5	O Ring	NBR		1
6	Shield Cover	Brass	Nickel Ptd.	1
7	WP Cable Holder E	PA66		1
8	WP Cable Holder D	NBR		1
9	WP Cable Holder C	PA66		1
10	WP Cable Holder B	NBR		1

俞昌有限公司
YEU TSANG CO. LTD.

品名:
ITEM:
料號:
PART NO.

8P M12 WATER TIGHT
CABLE PLUG ASS'Y
WP1208PA
圖號:
DRW NO.



一般公差
.X +/-0.25
.XX +/-0.10

SHEET:
1
1

單位:
unit: mm
比例:
scale: 3:2

日期:
date: '07/01/23
版本:
version: V. 1.0

繪圖:
drwn by: DanielShyr
核准:
aprvld by: SkyShyr